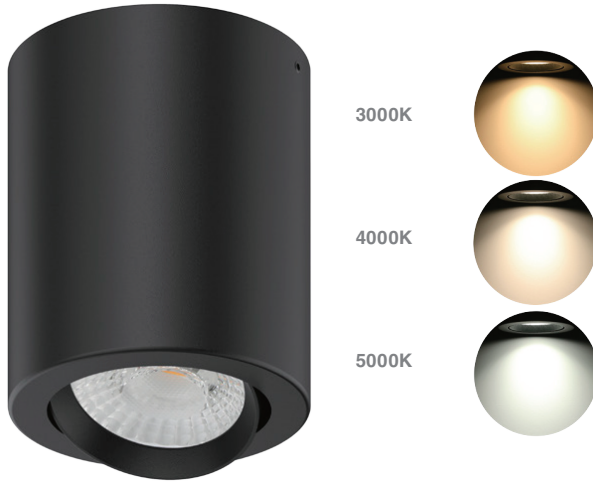


Model: XL130



APPLICATIONS

It is designed for general lighting applications in hotel, home, office, shop etc. It is also widely used for public areas such as stairway, lobby, reception, corridors etc.

PRODUCT DESCRIPTION

Surface mounted down light adopts brand COB and high reflective (more than 88%) reflector which make sure the high luminous; The ADC12 heat sink and multi-layer structure provide excellent thermal dissipation. Adjustable lighting direction-rotate 350° in horizontal and 25° in vertical- offers all possible lighting effects. Builtin driver solution both in dim and Non-dim version achieves great dimming compatibility with the worldwide brand dimmers.

FIXTURE Features

- Compact design, built-in driver.
- Quick connector or PA10 connector for easier installation.
- Interchangeable CCT(3000K+4000K+5000K) with slide switch.
- ADC12 aluminum housing provides excellent heat dissipation.
- Adjustable lighting direction: 350° in horizontal and 25° in vertical.
- Triac dimmable version available.

General Data

Model Number	XL1306W	XL13010W	XL13016W
Power	6W	10W	16W
Dimension	Ø90x110mm	Ø90x110mm	Ø115x122mm
LED type	COB LED		
Luminous	550-600lm	800-900lm	1200-1450lm
CCT	3-CCT: 3000K+4000K+5000K Dip switch		
CRI	≥90		
Beam angle	24° / 36° / 60°		
Optics Material	PMMA		
Lamp Life	50000 hrs		
SDCM	≤5		
Product Finishing	Black		
Oper. Temp.	-20°C~40°C		
IP Rating	IP20		
Input voltage (V)	AC220-240V 50-60Hz		
Dimming Opt.	DALI / 1-10V		
Housing Material	Aluminum Die-Casting		
Certifications	CE, RoHS		

XL1306W 6W

Part Number	CCT	Beam angle
XL1306WB24	3-CCT Dip Switch	24°
XL1306WB36	3-CCT Dip Switch	36°
XL1306WB60	3-CCT Dip Switch	60°

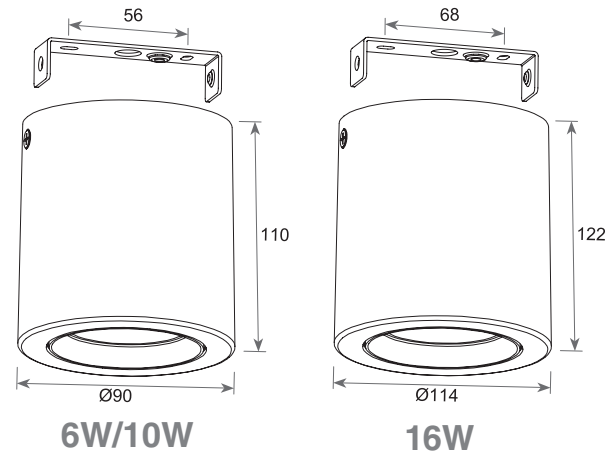
XL13010W 10W

Part Number	CCT	Beam angle
XL13010WB24	3-CCT Dip Switch	24°
XL13010WB36	3-CCT Dip Switch	36°
XL13010WB60	3-CCT Dip Switch	60°

XL13016W 16W

Part Number	CCT	Beam angle
XL13016WB24	3-CCT Dip Switch	24°
XL13016WB36	3-CCT Dip Switch	36°
XL13016WB60	3-CCT Dip Switch	60°

Dimension



Photometric Data

