

Model: OL5300R2A



General Data

Power	20W
LED type	SMD LED
Luminous flux	1600 lm
CCT	3000K or 4000K as standard. Different CCT upon request.
CRI	80+
Beam angle	/
Dimension	Ø300x101mm
Cut out dia.	/
Weight (kgs)	1.25 kgs
Lamp Life	50000 hrs
SDCM	≤5
Ambient Temp.	/
RAL Color	80+
Oper. Temp.	/
Certifications	CE, RoHS

Construction Data

IP rating	65 waterproof
Housing	Cast aluminum body
Protection finishing	Graphene powder coating finish
Glass	Tempered glass
Loading capacity	/
Cable Gland	IP65
Gasket	Silicone rubber gasket

Electrical Data

Input voltage	AC110~240V
Cable	Cable gland for waterproof IP54

APPLICATIONS

Elegant and minimal, with clean design and perfect size, it has a technological core with LED sources perfectly distributed. The IP65 protection and the possibility to integrate protecting grids, let it become part of any architectural scheme both external and internal.

PRODUCT DESCRIPTION

Surface-mounted wall luminaire for outdoor installation, aluminum body, Glass diffuser, stainless steel screws, Low power SMD LED, IP65 rating.

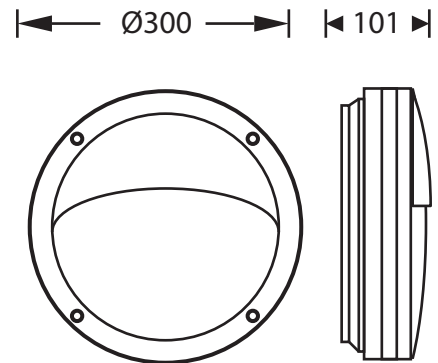
FIXTURE CONSTRUCTION

Cast aluminum body, with passivated (anodizing) anticorrosion finishing, stainless steel screws, silicon seal gaskets and cable gland for waterproof IP65

Accessories

- Mounting Sleeve /
- Clip /

Dimension Drawing



Lamp Options

Part Number	CCT	Beam angle
OL5300R2AC3	3000 K	/
OL5300R2AC4	4000 K	/

Photometric Data

Illumination Drawing



Model: OL5300R2B



General Data

Power	20W
LED type	SMD LED
Luminous flux	1600 lm
CCT	3000K or 4000K as standard. Different CCT upon request.
CRI	80+
Beam angle	/
Dimension	Ø300x90mm
Cut out dia.	/
Weight (kgs)	0.95 kgs
Lamp Life	50000 hrs
SDCM	≤5
Ambient Temp.	/
RAL Color	80+
Oper. Temp.	/
Certifications	CE, RoHS

Construction Data

IP rating	65 waterproof
Housing	Cast aluminum body
Protection finishing	Graphene powder coating finish
Glass	Tempered glass
Loading capacity	/
Cable Gland	IP65
Gasket	Silicone rubber gasket

Electrical Data

Input voltage	AC110~240V
Cable	Cable gland for waterproof IP54

APPLICATIONS

Elegant and minimal, with clean design and perfect size, it has a technological core with LED sources perfectly distributed. The IP65 protection and the possibility to integrate protecting grids, let it become part of any architectural scheme both external and internal.

PRODUCT DESCRIPTION

Surface-mounted wall luminaire for outdoor installation, aluminum body, Glass diffuser, stainless steel screws, Low power SMD LED, IP65 rating.

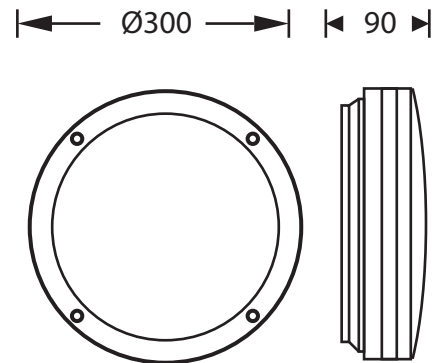
FIXTURE CONSTRUCTION

Cast aluminum body, with passivated (anodizing) anticorrosion finishing, stainless steel screws, silicon seal gaskets and cable gland for waterproof IP65

Accessories

- Mounting Sleeve /
- Clip /

Dimension Drawing

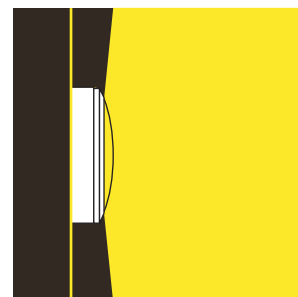


Lamp Options

Part Number	CCT	Beam angle
OL5300R2BC3	3000 K	/
OL5300R2BC4	4000 K	/

Photometric Data

Illumination Drawing



Model: OL5300R2C



General Data

Power	20W
LED type	SMD LED
Luminous flux	1600 lm
CCT	3000K or 4000K as standard. Different CCT upon request.
CRI	80+
Beam angle	/
Dimension	Ø300x101mm
Cut out dia.	/
Weight (kgs)	1.25 kgs
Lamp Life	50000 hrs
SDCM	≤5
Ambient Temp.	/
RAL Color	80+
Oper. Temp.	/
Certifications	CE, RoHS

Construction Data

IP rating	65 waterproof
Housing	Cast aluminum body
Protection finishing	Graphene powder coating finish
Glass	Tempered glass
Loading capacity	/
Cable Gland	IP65
Gasket	Silicone rubber gasket

Electrical Data

Input voltage	AC110~240V
Cable	Cable gland for waterproof IP54

APPLICATIONS

Elegant and minimal, with clean design and perfect size, it has a technological core with LED sources perfectly distributed. The IP65 protection and the possibility to integrate protecting grids, let it become part of any architectural scheme both external and internal.

PRODUCT DESCRIPTION

Surface-mounted wall luminaire for outdoor installation, aluminum body, Glass diffuser, stainless steel screws, Low power SMD LED, IP65 rating.

FIXTURE CONSTRUCTION

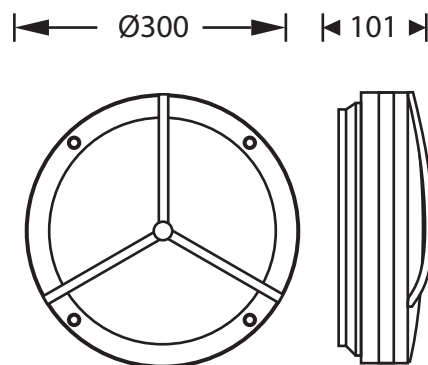
Cast aluminum body, with passivated (anodizing) anticorrosion finishing, stainless steel screws, silicon seal gaskets and cable gland for waterproof IP65

Accessories

Mounting Sleeve /

Clip /

Dimension Drawing



Lamp Options

Part Number	CCT	Beam angle
OL5300R2CC3	3000 K	/
OL5300R2CC4	4000 K	/

Photometric Data

Illumination Drawing

