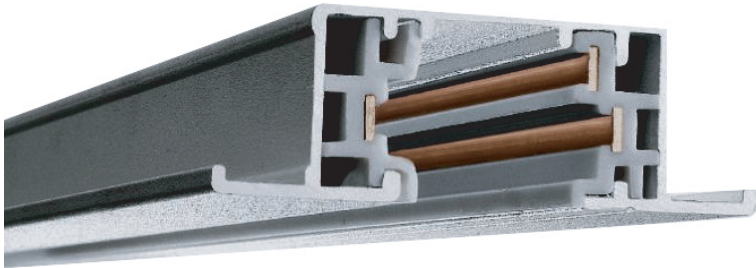


## MER1 - Single Circuit Tracks



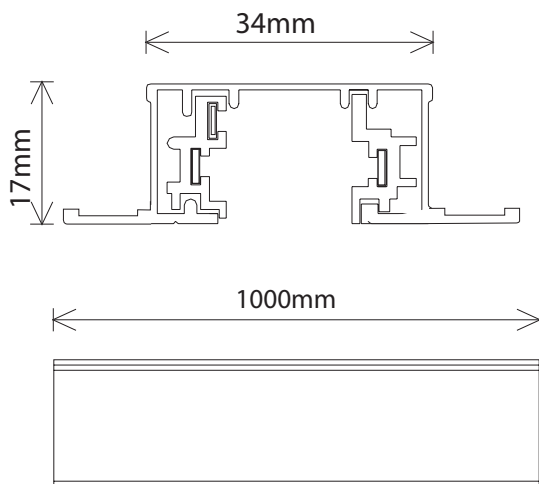
### General Data

Lamp Power	16 A
Length	1000mm
Track Color	White, Silver, Black
IP Rating	IP20
Input voltage	AC 230/240V

### Ordering Options

Part Number	Length	Trim color
MER1WH	1000 mm	White
MER1SL	1000 mm	Silver
MER1BL	1000 mm	Black

### Dimension Drawing



### APPLICATIONS

Used with spot lights for highlighting or general lighting in retail, commercial and Residential.

### PRODUCT DESCRIPTION

1000mm length single circuit track; recessed version comes in, White, black and silver colors, by using suspension wires you can make the whole system pendent, made of die cast aluminium. Easy installation, moving or removal

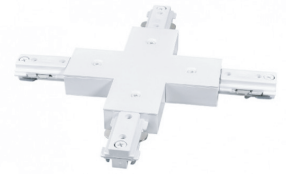
### FIXTURE CONSTRUCTION

Extruded low profile rigid aluminum, CPVC insulation, with two copper 3mm conductors, and powder coated in white or black or silver.

### Single Circuit Tracks Accessory



Live End ME55



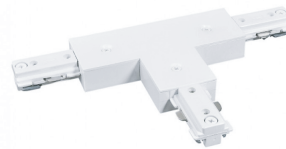
X Connecto ME67



Flexible Connector ME69



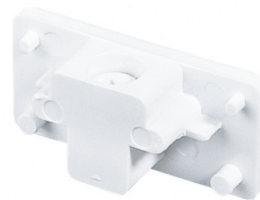
L Connector ME56



T Connector ME85



Mini Joiner ME60



End Cap ME61



3 Wires Adaptor ME63

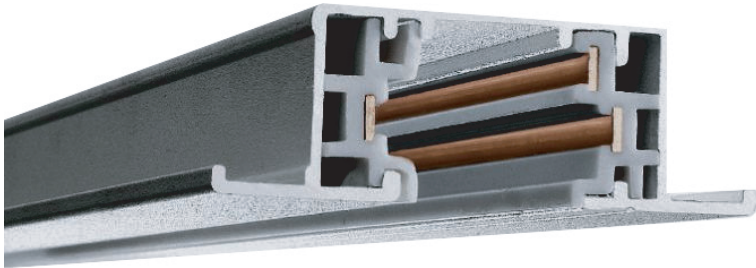


3 Wires Adaptor ME64



Middle Connector ME66

### MER2 - Single Circuit Tracks



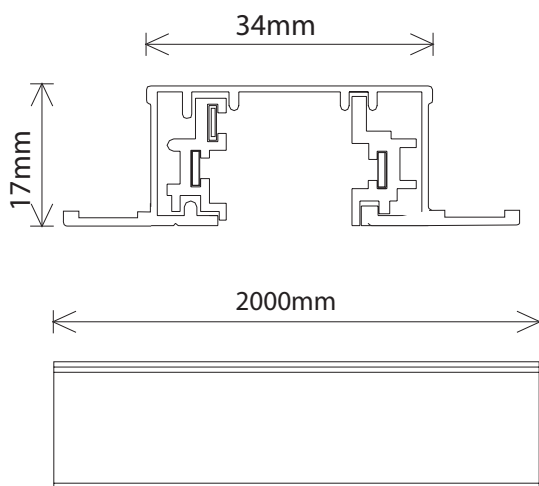
#### General Data

Lamp Power	16 A
Length	2000mm
Track Color	White, Silver, Black
IP Rating	IP20
Input voltage	AC 230/240V

#### Ordering Options

Part Number	Length	Trim color
MER2WH	2000 mm	White
MER2SL	2000 mm	Silver
MER2BL	2000 mm	Black

#### Dimension Drawing



#### APPLICATIONS

Used with spot lights for highlighting or general lighting in retail, commercial and Residential.

#### PRODUCT DESCRIPTION

2000mm length single circuit track; recessed version comes in, White, black and silver colors, by using suspension wires you can make the whole system pendent, made of die cast aluminium. Easy installation, moving or removal

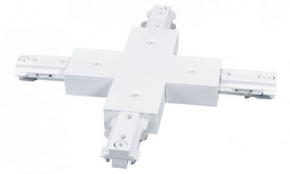
#### FIXTURE CONSTRUCTION

Extruded low profile rigid aluminum, CPVC insulation, with two copper 3mm conductors, and powder coated in white or black or silver.

#### Single Circuit Tracks Accessory



Live End ME55



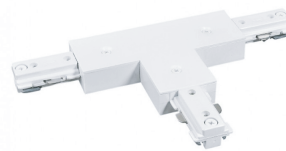
X Connecto ME67



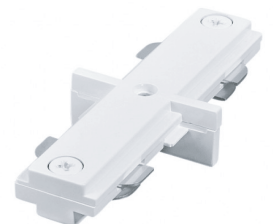
Flexible Connector ME69



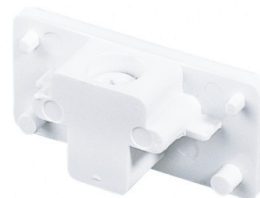
L Connector ME56



T Connector ME85



Mini Joiner ME60



End Cap ME61



3 Wires Adaptor ME63



3 Wires Adaptor ME64



Middle Connector ME66