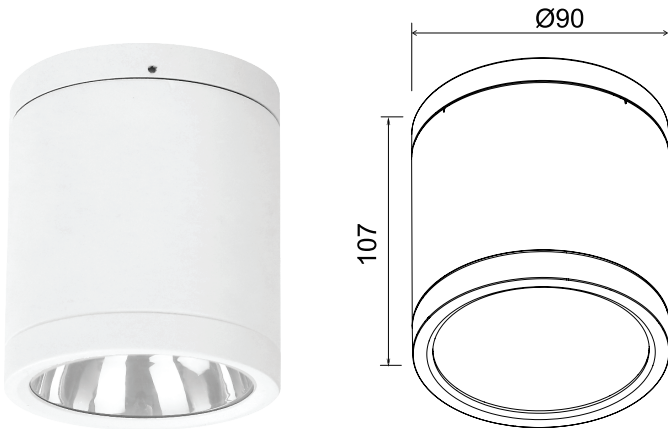


Model: XL2693



APPLICATIONS It is designed for general lighting applications in Retail, conference rooms, hotels, restaurants, Foyers, corridors, and living spaces, etc...

PRODUCT DESCRIPTION This new surface mounted downlight has a complete size options, it has faceted and specula reflector design for different optic reflection. Screwless on surface and tempered glass in front part, which offer a better appearance, high protection level and convenient installation. Two options for optic combination: Type A coB LED chip+lens+reflector, Type B SMD LED chip+diffuser+reflector.

FIXTURE Features Faceted and Specular reflector options. WITH IP P65 waterproof, IK06 protection level, Interchangeable CCT(3000K+4000K+5700K)with slide switch. And Internal flicker free driver.

Reflector



Lens + Specular Reflector

Lens + Faceted Reflector

PC Cover + Specular Reflector

PC Cover + Faceted Reflector

General Data

Model Number	XL269310W	XL269315W
Power	10W	15W
Optics Material	LENS	PC cover
LED type	COB LED	SMD LED
Luminous	860-950lm	750-1100lm
CCT	3-CCT: 3000K + 4000K +5000K Dip switch	
CRI	90+	80+
Beam angle	24°/36°/60°	70°
Dimension	Ø90x107mm	
Lamp Life	50000 hrs	
SDCM	≤5	
Product Finishing	White / Black	
Oper. Temp.	-20°C~65°C	
IP Rating	IP65	
Input voltage (V)	AC220-240V 50-60Hz	
Dimming Opt.	On/Off	
Housing Material	Aluminum Die-Casting	
Certifications	CE, RoHS	

XL269310WA 10W Lens + Specular Reflector

Part Number	CCT	Beam angle
XL269310WA24S	3-CCT Dip Switch	24°
XL269310WA36S	3-CCT Dip Switch	36°
XL269310WA60S	3-CCT Dip Switch	60°

XL269310WA 10W Lens + Faceted Reflector

Part Number	CCT	Beam angle
XL269310WA24F	3-CCT Dip Switch	24°
XL269310WA36F	3-CCT Dip Switch	36°
XL269310WA60F	3-CCT Dip Switch	60°

XL269315WA 15W Lens + Specular Reflector

Part Number	CCT	Beam angle
XL269315WA24S	3-CCT Dip Switch	24°
XL269315WA36S	3-CCT Dip Switch	36°
XL269315WA60S	3-CCT Dip Switch	60°

XL269315WA 15W Lens + Faceted Reflector

Part Number	CCT	Beam angle
XL269315WA24F	3-CCT Dip Switch	24°
XL269315WA36F	3-CCT Dip Switch	36°
XL269315WA60F	3-CCT Dip Switch	60°

XL269310WB 10W PC Cover

Part Number	CCT	Reflector	Beam angle
XL269310WB S	3-CCT Dip Switch	Specular	70°
XL269310WB F	3-CCT Dip Switch	Faceted	70°

XL269315WB 15W PC Cover

Part Number	CCT	Reflector	Beam angle
XL269315WB S	3-CCT Dip Switch	Specular	70°
XL269315WB F	3-CCT Dip Switch	Faceted	70°

Photometric Data

