

Model: OLAD2W



General Data

Power	2 Watts
LED type	1x2W
Luminous flux	122-147 lm
CCT	3000K or 4000K as standard. Different CCT upon request.
CRI	80+
Beam angle	Multi beam angle including 15° 20° 30° 45°
Dimension	Ø95 x 97 mm
Lamp Life	50000 hrs
Oper. Temp.	-20°C~40°C
Certifications	CE, RoHS

Construction Data

IP rating	IP67 Waterproof
IK rating	IK09
Housing	die-casting grey powder coated aluminum . T=60-80µm. Adhesion of ISO class 1/ASTM class 4B
Glass pressure capacity	Full Area=1195kgs
Trim	Hard chromeplated stainless steel SUS 316L
Glass	Tempered frosted step glass.T=10mm
Reflector	Optical Reflector efficiency≥90%
Cable Gland	IP68 PG-9 PA66
Gasket	Molding shaped seal

Electrical Data

Input voltage	DC24V
Dimmable Support	Triac PWM 1-10V Dali
Cable	H07RN-F 2X1.5mm2 L=0.5m

Accessories

Mounting Sleeve	ABS Housing with diron base
Optional Accessory	Honey comb

Driver: Constant Voltage Output

Driver Code	Watt	IP rate	Fixtures Qty	Warranty
MW- LPV-20-24	20 W	IP 67	min 1 - max 9	2 years
MW- NPF-40-24	40 W	IP 67	min 1 - max 18	5 years
MW- XLG-75-24	75 W	IP 67	min 1 - max 35	5 years
MW- ELG-75-24	75 W	IP 67	min 1 - max 35	5 years

- Driver to be order separately

- Cable distance should be taken into consideration -

APPLICATIONS

Inground recessed luminaire designed for easy installation, effective illumination, ideally for illuminating columns, walls, architectural features, as well as landscape features.

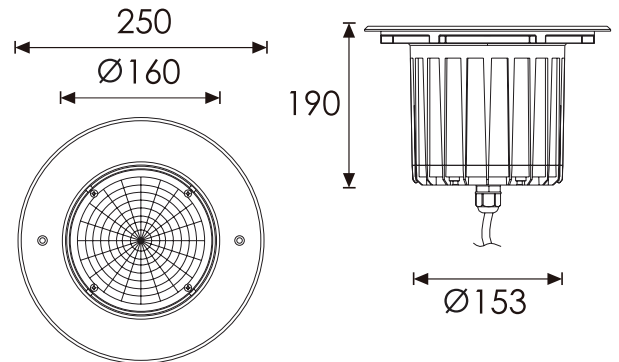
PRODUCT DESCRIPTION

Recessed luminaire designed for easy installation, effective illumination, ideally for illuminating columns, walls, architectural features, as well as landscape features. The adjustable lamp allows (20- or 20+) degree drawing attention to key objects.

FIXTURE CONSTRUCTION

die-casting grey powder coated aluminum .T=60-80µm. Adhesion of ISO class 1/ASTM class 4B, Hard chromeplated stainless steel SUS 316LL with Tempered frosted step glass. Optical Reflector efficiency≥90% and IP67

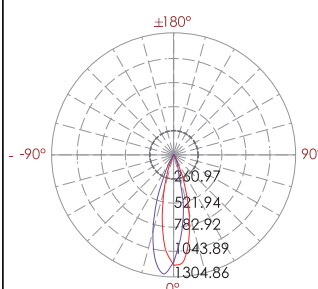
Dimension Drawing



Lamp Options

Part Number	CCT	Beam angle
OLAD2WC3B12	3000 K	15°
OLAD2WC4B12	4000 K	15°
OLAD2WC3B25	3000 K	20°
OLAD2WC4B25	4000 K	20°
OLAD2WC3B38	3000 K	30°
OLAD2WC4B38	4000 K	30°
OLAD2WC3B38	3000 K	45°
OLAD2WC4B38	4000 K	45°

Photometric Data



Lux distance cure

Distance	Illuminance at a distance		Beam width	
	Center beam LUX	Beam width	V	H
2m	1490.22 LUX	0.9m	1.0m	
4m	372.56 LUX	1.9m	1.9m	
6m	165.58 LUX	2.8m	2.9m	
8m	93.14 LUX	3.8m	3.8m	
10m	59.61 LUX	4.7m	4.8m	
12m	41.40 LUX	5.7m	2.7m	

Ver.Spread:26.5 Horiz.Spread:26.9