

### Model: OLAD18W



#### General Data

Power	18 Watts
LED type	12x1.5W
Luminous flux	1389-1885 lm
CCT	3000K or 4000K as standard. Different CCT upon request.
CRI	80+
Beam angle	Multi beam angle including 13° 25° 30°
Dimension	Ø260 x 190mm
Lamp Life	50000 hrs
Oper. Temp.	-20°C~40°C
Certifications	CE, RoHS

#### Construction Data

IP rating	IP67 Waterproof
IK rating	IK10
Housing	die-casting grey powder coated aluminum . T=60-80µm. Adhesion of ISO class 1/ASTM class 4B
Glass pressure capacity	Full Area=5513kgs
Trim	Hard chromeplated stainless steel SUS 316L
Glass	Tempered frosted step glass.T=10mm
Reflector	Optical Reflector efficiency≥90%
Cable Gland	IP68 PG-9 PA66
Gasket	Molding shaped seal

#### Electrical Data

Input voltage	DC24V
Dimmable Support	Triac PWM 1-10V Dali
Cable	H07RN-F 2X1.5mm2 L=0.5m

#### Accessories

Mounting Sleeve	ABS Housing with diron base
Optional Accessory	Honey comb

#### Driver: Constant Voltage Output

Driver Code	Watt	IP rate	Fixtures Qty	Warranty
MW- LPV-20-24	20 W	IP 67	min 1 - max 2	2 years
MW- NPF-40-24	40 W	IP 67	min 1 - max 5	5 years
MW- XLG-75-24	75 W	IP 67	min 1 - max 10	5 years
MW- ELG-75-24	75 W	IP 67	min 1 - max 10	5 years

- Driver to be order separately

.Cable distance should be taken into consideration -

#### APPLICATIONS

Inground recessed luminaire designed for easy installation, effective illumination, ideally for illuminating columns, walls, architectural features, as well as landscape features.

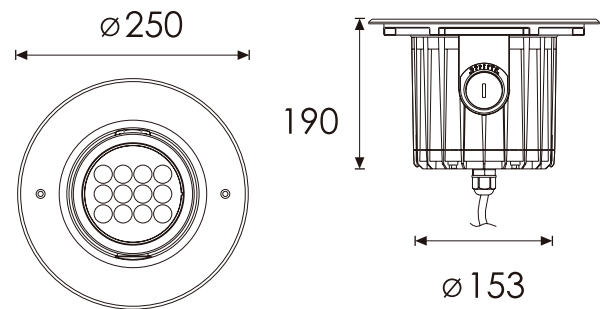
#### PRODUCT DESCRIPTION

Recessed luminaire designed for easy installation, effective illumination, ideally for illuminating columns, walls, architectural features, as well as landscape features. The adjustable lamp allows (20- or 20+) degree drawing attention to key objects.

#### FIXTURE CONSTRUCTION

die-casting grey powder coated aluminum .T=60-80µm. Adhesion of ISO class 1/ASTM class 4B, Hard chromeplated stainless steel SUS 316LL with Tempered frosted step glass. Optical Reflector efficiency≥90% and IP67

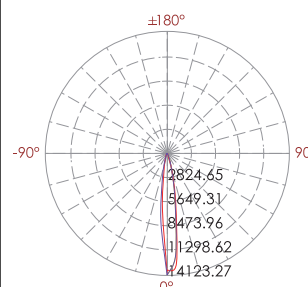
#### Dimension Drawing



#### Lamp Options

Part Number	CCT	Beam angle
OLAD18WC3B15	3000 K	15°
OLAD18WC4B15	4000 K	15°
OLAD18WC3B25	3000 K	25°
OLAD18WC4B25	4000 K	25°
OLAD18WC3B30	3000 K	30°
OLAD18WC4B30	4000 K	30°

#### Photometric Data



Lux distance cure

Distance	Illuminance at a distance		Beam width	
	Center beam LUX	Beam width V	H	H
2m	3403.94 LUX	0.5m	0.5m	
4m	850.99 LUX	1.0m	1.0m	
6m	378.22 LUX	1.5m	1.4m	
8m	212.75 LUX	2.0m	1.9m	
10m	136.16 LUX	2.6m	2.4m	
12m	94.55 LUX	3.1m	2.9m	

Ver.Spread:14.5 Horiz.Spread:13.7