

**Model: OL20W275RA**



**General Data**

Power	20W
LED type	Orsam SMD2835
Luminous flux	90-100lm/w
CCT	3000K or 4000K as standard. Different CCT upon request.
CRI	>80
Beam angle	/
Dimension	Ø275x86mm
Cut out dia.	/
Lamp Life	50000 hrs
SDCM	≤5
Body Color	Light Grey / Dark Grey / Black / White
RAL Color	80+
Oper. Temp.	- 20+40°
Certifications	CE, RoHS

**Construction Data**

IP rating	IP65
Housing	Cast aluminum body
Protection finishing	Graphene powder coating finish
Glass	Opal white PC diffuser
Loading capacity	/
Cable Gland	IP65
Gasket	Silicone rubber gasket

**Electrical Data**

Input voltage	AC100-240V 50/60hz
Cable	Cable gland for waterproof IP54
Driver	Orsam

**APPLICATIONS**

Elegant and minimal, with clean design and perfect size, it has a technological core with LED sources perfectly distributed. The IP65 protection and the possibility to integrate protecting grids, let it become part of any architectural scheme both external and internal.

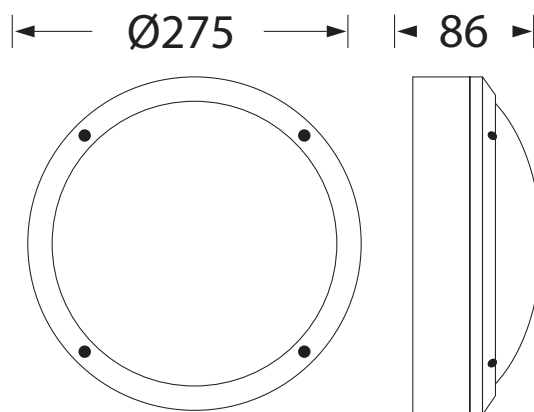
**PRODUCT DESCRIPTION**

Surface-mounted wall luminaire for outdoor installation, aluminum body, Glass diffuser, stainless steel screws, Low power Orsam SMD2835 , IP65 rating.

**FIXTURE CONSTRUCTION**

Cast aluminum body, with passivated (anodizing) anticorrosion finishing, stainless steel screws, silicon seal gaskets and cable gland for waterproof IP65

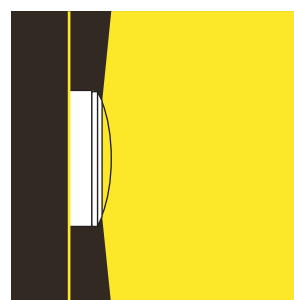
**Dimension Drawing**



**Lamp Options**

Part Number	CCT	Beam angle
OL20W275RAWHC3	3000 K	White
OL20W275RAWHC4	4000 K	White
OL20W275RABLC3	3000 K	Black
OL20W275RABLC4	4000 K	Black
OL20W275RALGC3	3000 K	Light Grey
OL20W275RALGC4	4000 K	Light Grey
OL20W275RADGC3	3000 K	Dark Grey
OL20W275RADGC4	4000 K	Dark Grey

**Photometric Data**



## Model: OL20W275RB



### General Data

Power	20W
LED type	Orsam SMD2835
Luminous flux	90-100lm/w
CCT	3000K or 4000K as standard. Different CCT upon request.
CRI	>80
Beam angle	/
Dimension	Ø275x86mm
Cut out dia.	/
Lamp Life	50000 hrs
SDCM	≤5
Body Color	Light Grey / Dark Grey / Black / White
RAL Color	80+
Oper. Temp.	- 20+40°
Certifications	CE, RoHS

### Construction Data

IP rating	IP65
Housing	Cast aluminum body
Protection finishing	Graphene powder coating finish
Glass	Opal white PC diffuser
Loading capacity	/
Cable Gland	IP65
Gasket	Silicone rubber gasket

### Electrical Data

Input voltage	AC100-240V 50/60hz
Cable	Cable gland for waterproof IP54
Driver	Orsam

### APPLICATIONS

Elegant and minimal, with clean design and perfect size, it has a technological core with LED sources perfectly distributed. The IP65 protection and the possibility to integrate protecting grids, let it become part of any architectural scheme both external and internal.

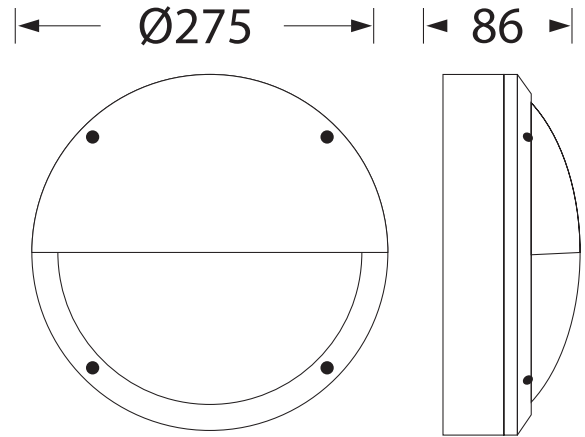
### PRODUCT DESCRIPTION

Surface-mounted wall luminaire for outdoor installation, aluminum body, Glass diffuser, stainless steel screws, Low power Orsam SMD2835 , IP65 rating.

### FIXTURE CONSTRUCTION

Cast aluminum body, with passivated (anodizing) anticorrosion finishing, stainless steel screws, silicon seal gaskets and cable gland for waterproof IP65

### Dimension Drawing



### Lamp Options

Part Number	CCT	Beam angle
OL20W275RBWHC3	3000 K	White
OL20W275RBWHC4	4000 K	White
OL20W275RBBLC3	3000 K	Black
OL20W275RBBLC4	4000 K	Black
OL20W275RBLGC3	3000 K	Light Grey
OL20W275RBLGC4	4000 K	Light Grey
OL20W275RBDGC3	3000 K	Dark Grey
OL20W275RBDGC4	4000 K	Dark Grey

### Photometric Data



## Model: OL20W275RC



### General Data

Power	20W
LED type	Orsam SMD2835
Luminous flux	90-100lm/w
CCT	3000K or 4000K as standard. Different CCT upon request.
CRI	>80
Beam angle	/
Dimension	Ø275x86mm
Cut out dia.	/
Lamp Life	50000 hrs
SDCM	≤5
Body Color	Light Grey / Dark Grey / Black / White
RAL Color	80+
Oper. Temp.	- 20+40°
Certifications	CE, RoHS

### Construction Data

IP rating	IP65
Housing	Cast aluminum body
Protection finishing	Graphene powder coating finish
Glass	Opal white PC diffuser
Loading capacity	/
Cable Gland	IP65
Gasket	Silicone rubber gasket

### Electrical Data

Input voltage	AC100-240V 50/60hz
Cable	Cable gland for waterproof IP54
Driver	Orsam

### APPLICATIONS

Elegant and minimal, with clean design and perfect size, it has a technological core with LED sources perfectly distributed. The IP65 protection and the possibility to integrate protecting grids, let it become part of any architectural scheme both external and internal.

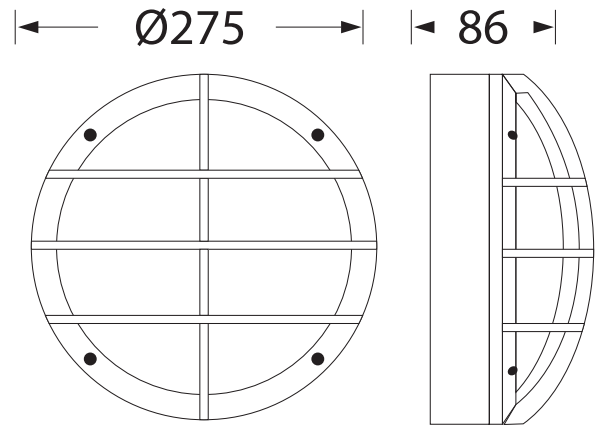
### PRODUCT DESCRIPTION

Surface-mounted wall luminaire for outdoor installation, aluminum body, Glass diffuser, stainless steel screws, Low power Orsam SMD2835 , IP65 rating.

### FIXTURE CONSTRUCTION

Cast aluminum body, with passivated (anodizing) anticorrosion finishing, stainless steel screws, silicon seal gaskets and cable gland for waterproof IP65

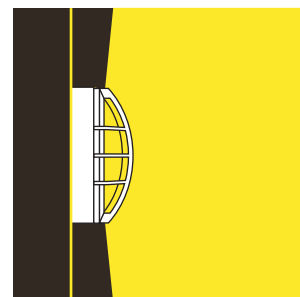
### Dimension Drawing



### Lamp Options

Part Number	CCT	Beam angle
OL20W275RCWHC3	3000 K	White
OL20W275RCWHC4	4000 K	White
OL20W275RCBLC3	3000 K	Black
OL20W275RCBLC4	4000 K	Black
OL20W275RCLGC3	3000 K	Light Grey
OL20W275RCLGC4	4000 K	Light Grey
OL20W275RCDGC3	3000 K	Dark Grey
OL20W275RCDGC4	4000 K	Dark Grey

### Photometric Data



**Model: OL30W360RA**



**General Data**

Power	30W
LED type	Orsam SMD2835
Luminous flux	90-100lm/w
CCT	3000K or 4000K as standard. Different CCT upon request.
CRI	>80
Beam angle	/
Dimension	Ø360x100mm
Cut out dia.	/
Lamp Life	50000 hrs
SDCM	≤5
Body Color	Light Grey / Dark Grey / Black / White
RAL Color	80+
Oper. Temp.	- 20+40°
Certifications	CE, RoHS

**Construction Data**

IP rating	IP65
Housing	Cast aluminum body
Protection finishing	Graphene powder coating finish
Glass	Opal white PC diffuser
Loading capacity	/
Cable Gland	IP65
Gasket	Silicone rubber gasket

**Electrical Data**

Input voltage	AC100-240V 50/60hz
Cable	Cable gland for waterproof IP54
Driver	Orsam

**APPLICATIONS**

Elegant and minimal, with clean design and perfect size, it has a technological core with LED sources perfectly distributed. The IP65 protection and the possibility to integrate protecting grids, let it become part of any architectural scheme both external and internal.

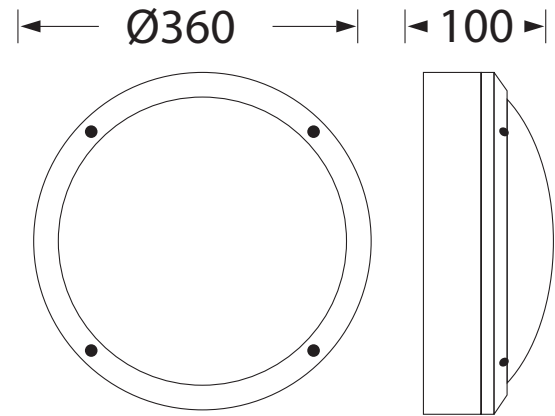
**PRODUCT DESCRIPTION**

Surface-mounted wall luminaire for outdoor installation, aluminum body, Glass diffuser, stainless steel screws, Low power Orsam SMD2835 , IP65 rating.

**FIXTURE CONSTRUCTION**

Cast aluminum body, with passivated (anodizing) anticorrosion finishing, stainless steel screws, silicon seal gaskets and cable gland for waterproof IP65

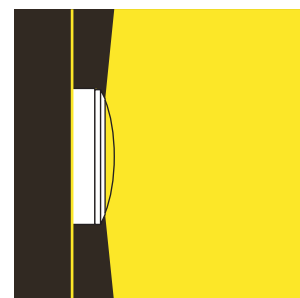
**Dimension Drawing**



**Lamp Options**

Part Number	CCT	Beam angle
OL30W360RAWHC3	3000 K	White
OL30W360RAWHC4	4000 K	White
OL30W360RABLC3	3000 K	Black
OL30W360RABLC4	4000 K	Black
OL30W360RALGC3	3000 K	Light Grey
OL30W360RALGC4	4000 K	Light Grey
OL30W360RADGC3	3000 K	Dark Grey
OL30W360RADGC4	4000 K	Dark Grey

**Photometric Data**



### Model: OL30W360RB



#### General Data

Power	30W
LED type	Orsam SMD2835
Luminous flux	90-100lm/w
CCT	3000K or 4000K as standard. Different CCT upon request.
CRI	>80
Beam angle	/
Dimension	Ø360x100mm
Cut out dia.	/
Lamp Life	50000 hrs
SDCM	≤5
Body Color	Light Grey / Dark Grey / Black / White
RAL Color	80+
Oper. Temp.	- 20+40°
Certifications	CE, RoHS

#### Construction Data

IP rating	IP65
Housing	Cast aluminum body
Protection finishing	Graphene powder coating finish
Glass	Opal white PC diffuser
Loading capacity	/
Cable Gland	IP65
Gasket	Silicone rubber gasket

#### Electrical Data

Input voltage	AC100-240V 50/60hz
Cable	Cable gland for waterproof IP54
Driver	Orsam

#### APPLICATIONS

Elegant and minimal, with clean design and perfect size, it has a technological core with LED sources perfectly distributed. The IP65 protection and the possibility to integrate protecting grids, let it become part of any architectural scheme both external and internal.

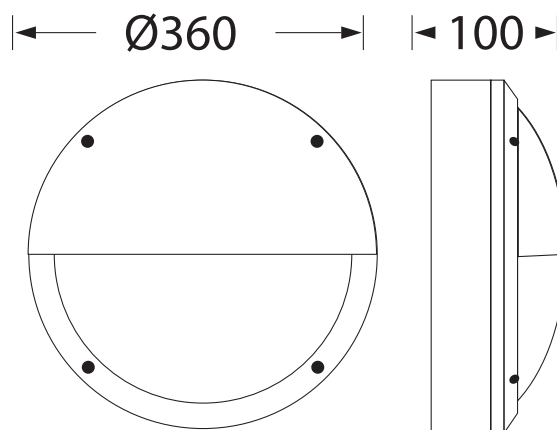
#### PRODUCT DESCRIPTION

Surface-mounted wall luminaire for outdoor installation, aluminum body, Glass diffuser, stainless steel screws, Low power Orsam SMD2835 , IP65 rating.

#### FIXTURE CONSTRUCTION

Cast aluminum body, with passivated (anodizing) anticorrosion finishing, stainless steel screws, silicon seal gaskets and cable gland for waterproof IP65

#### Dimension Drawing



#### Lamp Options

Part Number	CCT	Beam angle
OL30W360RBWHC3	3000 K	White
OL30W360RBWHC4	4000 K	White
OL30W360RBBLC3	3000 K	Black
OL30W360RBBLC4	4000 K	Black
OL30W360RBLGC3	3000 K	Light Grey
OL30W360RBLGC4	4000 K	Light Grey
OL30W360RBDGC3	3000 K	Dark Grey
OL30W360RBDGC4	4000 K	Dark Grey

#### Photometric Data



## Model: OL30W360RC



### General Data

Power	30W
LED type	Orsam SMD2835
Luminous flux	90-100lm/w
CCT	3000K or 4000K as standard. Different CCT upon request.
CRI	>80
Beam angle	/
Dimension	Ø360x100mm
Cut out dia.	/
Lamp Life	50000 hrs
SDCM	≤5
Body Color	Light Grey / Dark Grey / Black / White
RAL Color	80+
Oper. Temp.	- 20+40°
Certifications	CE, RoHS

### Construction Data

IP rating	IP65
Housing	Cast aluminum body
Protection finishing	Graphene powder coating finish
Glass	Opal white PC diffuser
Loading capacity	/
Cable Gland	IP65
Gasket	Silicone rubber gasket

### Electrical Data

Input voltage	AC100-240V 50/60hz
Cable	Cable gland for waterproof IP54
Driver	Orsam

### APPLICATIONS

Elegant and minimal, with clean design and perfect size, it has a technological core with LED sources perfectly distributed. The IP65 protection and the possibility to integrate protecting grids, let it become part of any architectural scheme both external and internal.

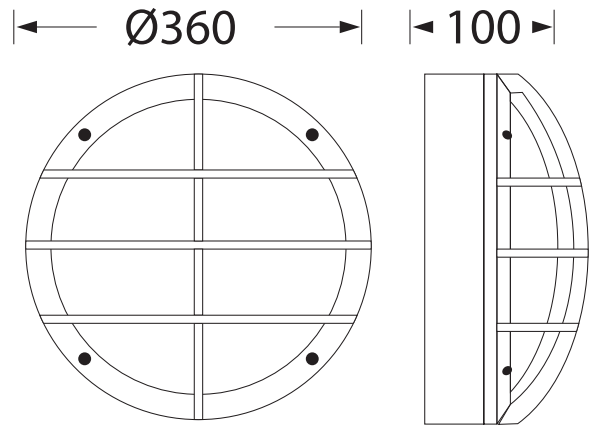
### PRODUCT DESCRIPTION

Surface-mounted wall luminaire for outdoor installation, aluminum body, Glass diffuser, stainless steel screws, Low power Orsam SMD2835 , IP65 rating.

### FIXTURE CONSTRUCTION

Cast aluminum body, with passivated (anodizing) anticorrosion finishing, stainless steel screws, silicon seal gaskets and cable gland for waterproof IP65

### Dimension Drawing



### Lamp Options

Part Number	CCT	Beam angle
OL30W360RCWHC3	3000 K	White
OL30W360RCWHC4	4000 K	White
OL30W360RCBLC3	3000 K	Black
OL30W360RCBLC4	4000 K	Black
OL30W360RCLGC3	3000 K	Light Grey
OL30W360RCLGC4	4000 K	Light Grey
OL30W360RCDGC3	3000 K	Dark Grey
OL30W360RCDGC4	4000 K	Dark Grey

### Photometric Data

