

## Model: OL003214W



### General Data

Power	8W
LED type	Osram LED
Luminous flux	960 lm
CCT	3000K or 4000K as standard. Different CCT upon request.
CRI	80+
Beam angle	197°
Dimension	Ø208x247x267mm
Cut out dia.	/
Weight (kgs)	/
Lamp Life	50000 hrs
SDCM	≤5
Ambient Temp.	-40°-45°
RAL Color	80+
Oper. Temp.	-30°-45°
Certifications	CE, RoHS

### Construction Data

IP rating	54
Housing	Cast aluminum body
Protection finishing	Graphene powder coating finish
Glass	Tempered glass
Loading capacity	/
Cable Gland	IP65
Gasket	Silicone rubber gasket

### Electrical Data

Input voltage	AC110~240V
Cable	Cable gland for waterproof IP54

### APPLICATIONS

These lights are widely used in exterior applications, such as Facade lighting, columns, walls, architectural features, landscape features for hotels, as well as residential applications, etc.

### PRODUCT DESCRIPTION

Surface-mounted wall luminaire for outdoor installation, aluminum body, Glass diffuser, stainless steel screws, Low power Osram LED, IP54rating.

### FIXTURE CONSTRUCTION

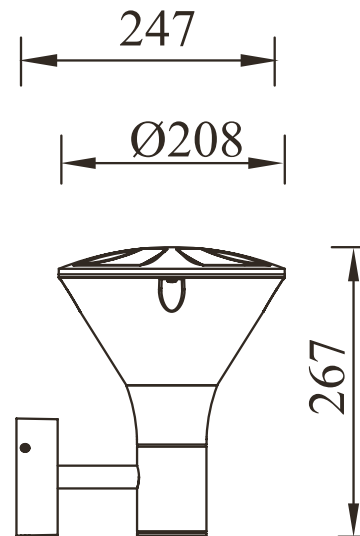
Cast aluminum body, with passivated (anodizing) anticorrosion finishing, stainless steel screws, Glass diffuser, silicon seal gaskets and cable gland for waterproof IP54

### Accessories

Mounting Sleeve /

Clip /

### Dimension Drawing

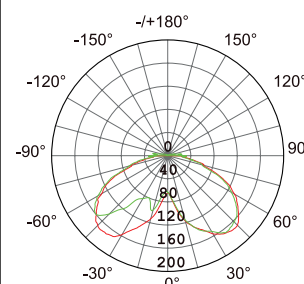


### Lamp Options

Part Number	CCT	Beam angle
OL003214WC3B197	3000 K	197°
OL003214WC4B197	4000 K	197°

### Photometric Data

Light Distribution Curve [Unit: cd]



Illumination Drawing

