

### Model: OLR12WCOB



#### General Data

<b>Power</b>	12 Watts
<b>LED type</b>	1x12W COB
<b>Luminous flux</b>	1230-1357 lm
<b>CCT</b>	3000K or 4000K as standard. Different CCT upon request.
<b>CRI</b>	80+
<b>Beam angle</b>	Multi beam angle including 12° 22° 35° 55°
<b>Dimension</b>	Ø137 x 128 mm
<b>Lamp Life</b>	50000 hrs
<b>Oper. Temp.</b>	-20°C~40°C
<b>Certifications</b>	CE, RoHS

#### Construction Data

<b>IP rating</b>	IP67 Waterproof
<b>IK rating</b>	IK09
<b>Housing</b>	Die-casting dark grey powder coated aluminum T=60-80µm Adhesion of ISO class 1/ATM class 4B
<b>Glass pressure capacity</b>	Full Area=2621kgs
<b>Trim</b>	Hard chrome-plated stainless steel SUS 316L
<b>Glass</b>	Tempered frosted step glass.T=8mm
<b>Reflector</b>	Optical Reflector efficiency≥90%
<b>Cable Gland</b>	IP68 PG-9 PA66
<b>Gasket</b>	Molding shaped seal

#### Electrical Data

<b>Input voltage</b>	DC24V
<b>Cable</b>	H07RN-F 2X1.0mm2 L=0.5m

#### Accessories

<b>Mounting Sleeve</b>	PC/ABS ALLOYS
------------------------	---------------

#### Driver: Constant Voltage Output

Driver Code	Watt	IP rate	Fixtures Qty	Warranty
MW- LPV-20-24	20 W	IP 67	min 1 - max 1	2 years
MW- NPF-40-24	40 W	IP 67	min 1 - max 3	5 years
MW- XLG-75-24	75 W	IP 67	min 1 - max 5	5 years
MW- ELG-75-24	75 W	IP 67	min 1 - max 5	5 years

- Driver to be order separately

.Cable distance should be taken into consideration -

#### APPLICATIONS

Inground recessed luminaire designed for easy installation, effective illumination, ideally for illuminating columns, walls, architectural features, as well as landscape features.

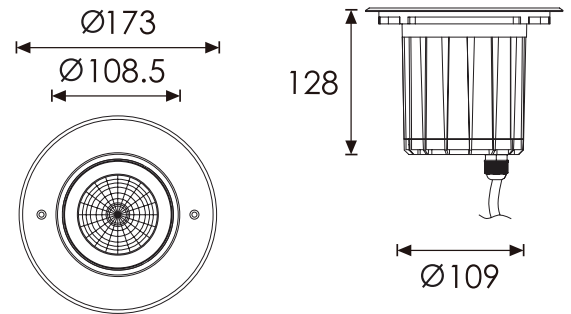
#### PRODUCT DESCRIPTION

Inground round recessed luminaire for outdoor installation, anodized extruded aluminium body, Tempered step glass, Hard chrome-plated stainless steel trim. Low power COB LED, IP67

#### FIXTURE CONSTRUCTION

Die-casting dark grey powder coated aluminum T=60-80µm Adhesion of ISO class 1/ATM class 4B, Hard chrome-plated stainless steel SUS 316L with Tempered frosted step glass.T=6mm Optical Reflector efficiency≥90% and IO67

#### Dimension Drawing



#### Lamp Options

Part Number	CCT	Beam angle
OLR12WCOBC3B12	3000 K	12°
OLR12WCOBC4B12	4000 K	12°
OLR12WCOBC3B22	3000 K	22°
OLR12WCOBC4B22	4000 K	22°
OLR12WCOBC3B35	3000 K	35°
OLR12WCOBC4B35	4000 K	35°
OLR12WCOBC3B55	3000 K	55°
OLR12WCOBC4B55	4000 K	55°

#### Photometric Data

