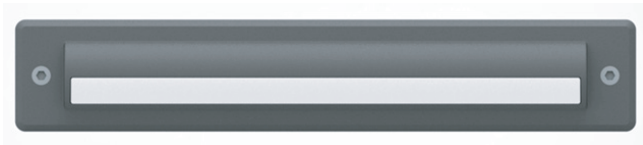


Model: OLM013508B



General Data

Power	5 W
LED type	LG LED
Luminous flux	77 lm
CCT	3000K or 4000K as standard. Different CCT upon request.
CRI	80+
Beam angle	110°
Dimension	54x297x76mm
Cut out dia.	35x275x9.5mm
Weight (kgs)	0.6 kgs
Lamp Life	50000 hrs
SDCM	≤5
Ambient Temp.	-40°-45°
RAL Color	80+
Oper. Temp.	-30°-45°
Certifications	CE, RoHS

Construction Data

IP rating	IP65 Waterproof
Housing	Stainless steel recessed housing
Protection finishing	Graphene powder coating finish
Glass	Tempered glass
Loading capacity	/
Cable Gland	IP65
Gasket	Silicone rubber gasket

Electrical Data

Input voltage	AC100-255V
Cable	Cable gland for waterproof IP65

APPLICATIONS

With its modern design, This is the wall recessed solution for projects that require an attractive design and maximum visual comfort. it is designed and engineered to have a medium-light distribution.

PRODUCT DESCRIPTION

Recessed wall luminaire for outdoor installation, aluminum body, Low power LG LED, IP65 rating.

FIXTURE CONSTRUCTION

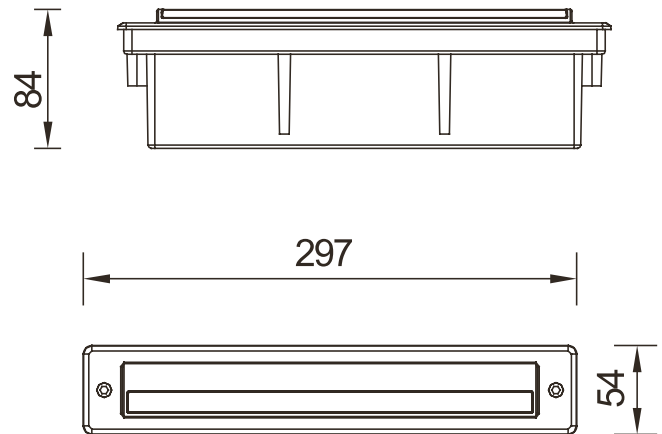
Cast aluminum, Graphene powder coating finish, Stainless steel recessed housing, Opal PC diffuser, Plastic recessed box, Silicon seal gaskets and cable gland for waterproof IP65

Accessories

Mounting Sleeve Plastic recessed box

Clip /

Dimension Drawing

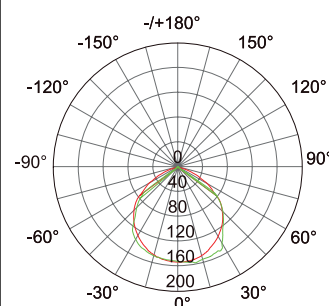


Lamp Options

Part Number	CCT	Beam angle
OLM013508BC3B110	3000 K	110°
OLM013508BC4B110	4000 K	110°

Photometric Data

Light Distribution Curve [Unit: cd]



Illumination Drawing

