

Model: OLUWB9W



General Data

Power	9W
LED type	6x1.5W
Luminous flux	800 lm
CCT	3000K or 4000K as standard. Different CCT upon request.
CRI	80+
Beam angle	20° 45° 60°
Dimension	Ø95x167x106 mm
Cut out dia.	-
Lamp Life	50000 hrs
SDCM	≤5
Water Stopper	1.1m+
Oper. Temp.	Temperature of water between -20°C~40°C less than 1 meter depth.
Certifications	CE, RoHS

Construction Data

IP rating	IP68 Waterproof
IK rating	IK08
Housing	Hard chromeplated molding shaped stainless steel SUS 316
Trim	Stainless steel SUS 316#
Light Window	PMMA 8mm
System Overheat	Automatic Shutdown at 75°C
Cable Gland	IP68 PG-11 copper with nickel-coated
Gasket	Silicone gasket

Electrical Data

Input voltage	DC24V
Dimmable Support	Triac PWM 1-10V Dali
Cable	H07RN-F 2x1.0mm ² with water-stopper, L=1m, 3m, 5m

Accessories

Tripod

Driver: Constant Voltage Output

Driver Code	Watt	IP rate	Fixtures Qty	Warranty
MW- LPV-20-24	20 W	IP 67	max 2	2 years
MW- NPF-40-24	40 W	IP 67	min 1 - max 4	5 years
MW- XLG-75-24	75 W	IP 67	min 1 - max 7	5 years
MW- ELG-75-24	75 W	IP 67	min 1 - max 7	5 years

- Driver to be order separately

.Cable distance should be taken into consideration -

APPLICATIONS

Underwater Spot lighting creates a family-friendly setting to enrich the night view with a glowing light that goes beyond the water's edge creating a virtual aquarium that everyone can appreciate.

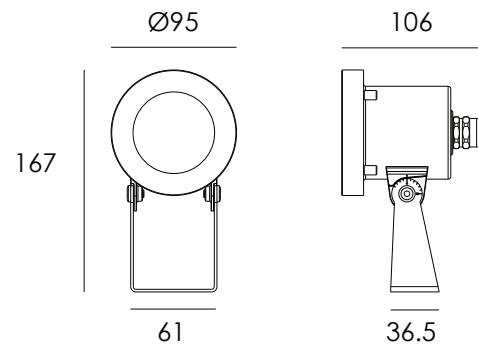
PRODUCT DESCRIPTION

The luminaire will generate high temperature when used, which will generate negative pressure when the power is turned off also brings water vapor into the luminaire. That's why the device is required to block the entry of water vapor

FIXTURE CONSTRUCTION

Hard chromeplated molding shaped stainless steel 316 housing and trim, Light window PMMA 8mm, Automatic Shutdown at 75°C with the built-in temperature sensor system.IP rating IP68

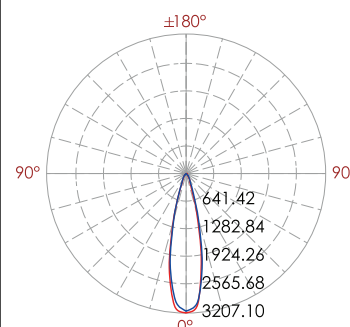
Dimension Drawing



Lamp Options

Part Number	CCT	Beam angle
OLUWB9WC3B9	3000 K	9°
OLUWB9WC4B9	4000 K	9°
OLUWB9WC3B15	3000 K	15°
OLUWB9WC4B15	4000 K	15°
OLUWB9WC3B20	3000 K	20°
OLUWB9WC4B20	4000 K	20°
OLUWB9WC3B45	3000 K	45°
OLUWB9WC4B45	4000 K	45°
OLUWB9WC3B60	3000 K	60°
OLUWB9WC4B60	4000 K	60°

Photometric Data



Lux distance cure

Center beam LUX	Illuminance at a distance	
	Beam width V	Beam width H
2m	801.78 LUX	0.9m 0.9m
4m	200.44 LUX	1.8m 1.8m
6m	89.09 LUX	2.7m 2.7m
8m	50.11 LUX	3.5m 3.6m
10m	32.07 LUX	4.4m 4.5m
12m	22.27 LUX	5.3m 5.3m

Ver.Spread: 25.0 Horiz.Spread: 25.1