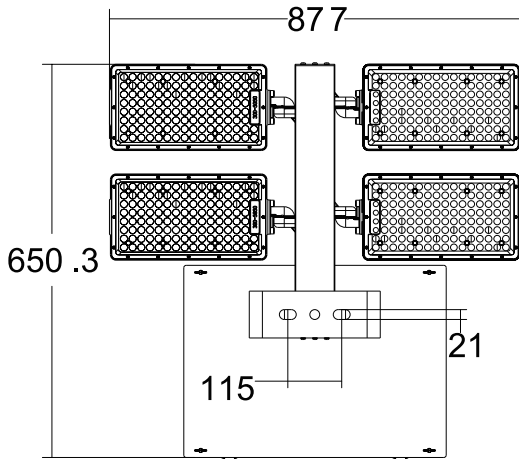


XL marlin Lighting

Sport Light (SPJL1000W) installation Instruction

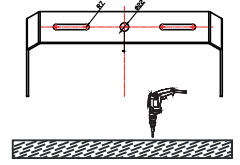
The user: Thank you for your purchase of this product, read this instruction manual before usage

1. Model: SPJL1000W
2. Rated Voltage: AC100-277V 50-60Hz
3. Rated Power: 1000W
4. IP Grade: IP67
5. Operating Temp.: -40°C~+70°C

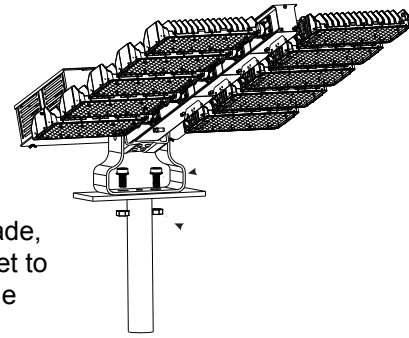


- Always disconnect the power supply before installing or performing any maintenance operations.
- Installation should be carried out by a suitably qualified person in accordance with good electrical practice and the appropriate national wiring regulations.
- These luminaires are widely used in commercial lighting, home decoration lighting, art gallery and museums.
- Only can be touched after 3 minutes later when power off, so as to avoid burns.
- Dismantling and refit are forbidden
- Installation on inflammables is forbidden.

- 1- Make holes on the surface where be installed to fit the projector bracket to place the screw pins.



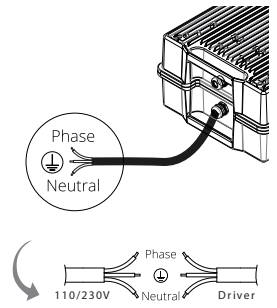
- 2- Once holes have been made, attach the floodlight bracket to the surface as shown in the following image



- 3- Connect the luminaire to the supply voltage by connecting the cables with their respective colors as shown in the following indications.

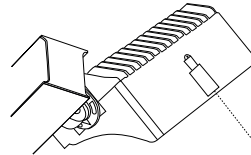
Connections

Cable colour:	Supply type:
Brown	Phase
Yellow&Green	Ground
Blue	Neutral

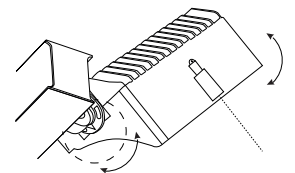


4- ADJUST LIGHT DIRECTION

- A- Fix the laser sight on the fixture



- B- Adjust Modular to an angle same that of with laser sight.



If the external flexible cable or cord of this luminaire is damaged, it shall be exclusively replaced by the manufacturer or his service agent or a similar qualified person in order to avoid a hazard.

The light source of this luminaire is not replaceable; when the source reaches its end of life the whole luminaire shall be replaced

Welcome you again to buy our products