

Model: OL312130



General Data

Power	8 W
LED type	CREE LED
Luminous flux	360lm
CCT	3000K or 4000K as standard. Different CCT upon request.
CRI	80+
Beam angle	110°
Dimension	200x120x300mm
Cut out dia.	/
Weight (kgs)	1.9 kgs
Lamp Life	50000 hrs
SDCM	≤5
Ambient Temp.	-40°-45°
RAL Color	80+
Oper. Temp.	-30°-45°
Certifications	CE, RoHS

Construction Data

IP rating	IP65
Housing	Aluminum lamp body
Protection finishing	Graphene powder coating finish
Glass	Tempered glass diffuser
Loading capacity	2000 kgs
Cable Gland	PG7 IP67
Gasket	Silicone rubber gasket

Electrical Data

Input voltage	AC 110-240V
Cable	1PC rubber cable 1M

APPLICATIONS

A new range of lighting objects that are ideal for the completion of outdoor projects. With cutting edge design and innovative LED technology, This bollard is an object of urban design that can be integrated into any context and is particularly suitable for paths, parks and landscape areas

PRODUCT DESCRIPTION

LED bollard luminaire for outdoor installation, aluminum body, 800mm height, Glass diffuser, stainless steel screws, Low power CREE LED, IP54 rating.

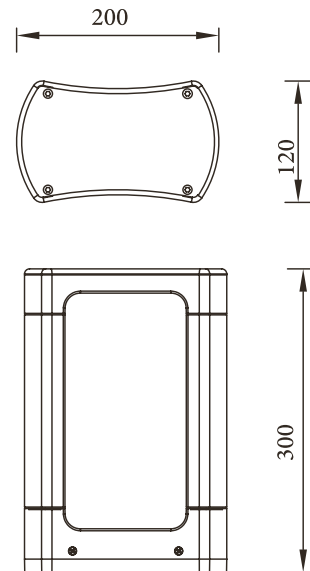
FIXTURE CONSTRUCTION

Aluminum body housing, Anti-corrosion Graphene powder coating finishing, Tempered glass diffuser for high loading capacity, Silicone rubber gasket. IP65 rating

Accessories

- Mounting Sleeve /
- Clip /

Dimension Drawing

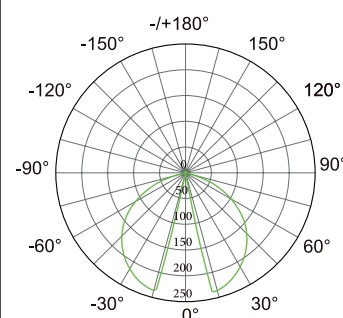


Lamp Options

Part Number	CCT	Beam angle
OL312130C3B110	3000 K	110°
OL312130C4B110	4000 K	110°

Photometric Data

Light Distribution Curve [Unit: cd]



Illumination Drawing

